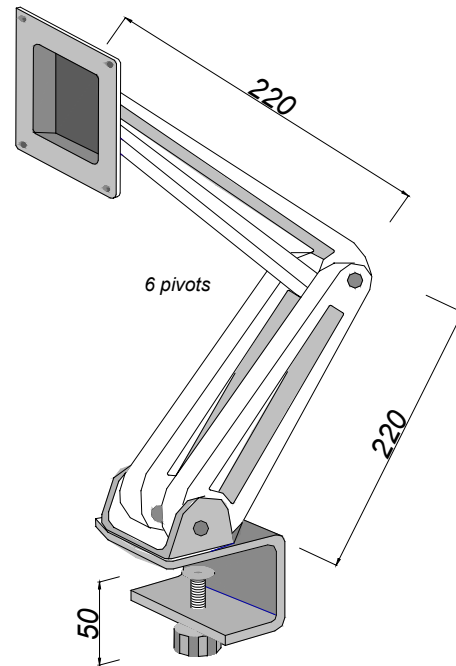
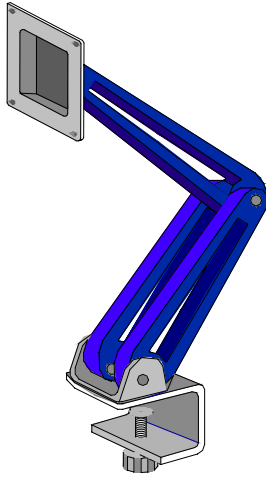




WL200A



SPECIFICATIONS

- ▶ **MATERIAL** *Sturdy double LCD/TFT lasered acryl arm
Friction done by glass nylon/metal disks*
- ▶ **THICKNESS** *20 mm*
- ▶ **FUNCTION** *6 pivots to move the LCD/TFT flat panel in any direction
For flat panels till 18 " with a maximum weight of 8 Kg,
with conterstop on first two trapezes
Suites desk panels up to 50 mm
All rotation points have a movement of 180 °
Standard VESA 75x75 mm. Optional VESA 100x100mm*
- ▶ **COLOUR** *Transparent Acryl. Other Acryl colours available
Optional 4 lcy colours*
- ▶ **WEIGHT - Brut = 1,5 Kg / WEIGHT – Net = 1,3 Kg**
- ▶ **BOX dimensions = B/D/H = 300x100x100 Volume = 0,003 m³**