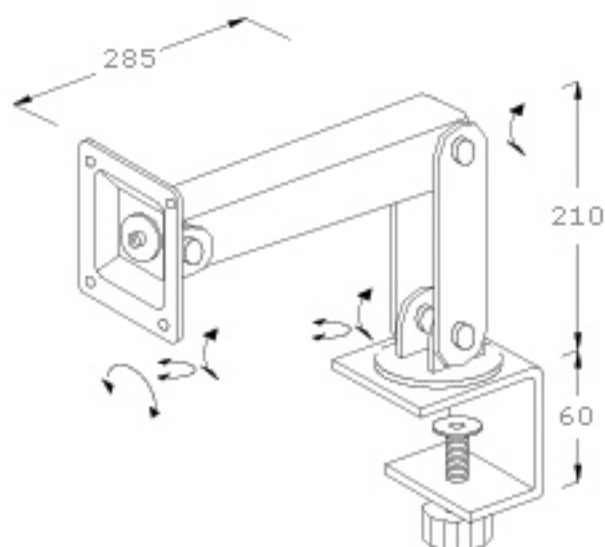


WL183G



SPECIFICATIONS

- ▶ Double LCD/TFT arm
- ▶ Clamp in 5 mm, arm in 3 mm steel
- ▶ 6 pivots with a 180 ° rotation point of the flat panel
- ▶ This model includes a standard VESA 75 x 75 mm. Optional 100 x 100 mm
- ▶ The max possible load is 15 Kg. The setting is 12 Kg
- ▶ The clamp suites desk panels up to 50 mm
- ▶ Cable management inside the arm
- ▶ Maximum height 350 mm to centre VESA
- ▶ Colour in smooth GREY / ALU RAL 9006 PE 50 / X + RAL 9006 ST
- ▶ VESA in colour RAL 9023
- ▶ Weight – Brut = 2 Kg / Weight – Net = 1,9 Kg
- ▶ Box dimensions = B/D/H = 450x110x110 Volume = 0,0055 m³